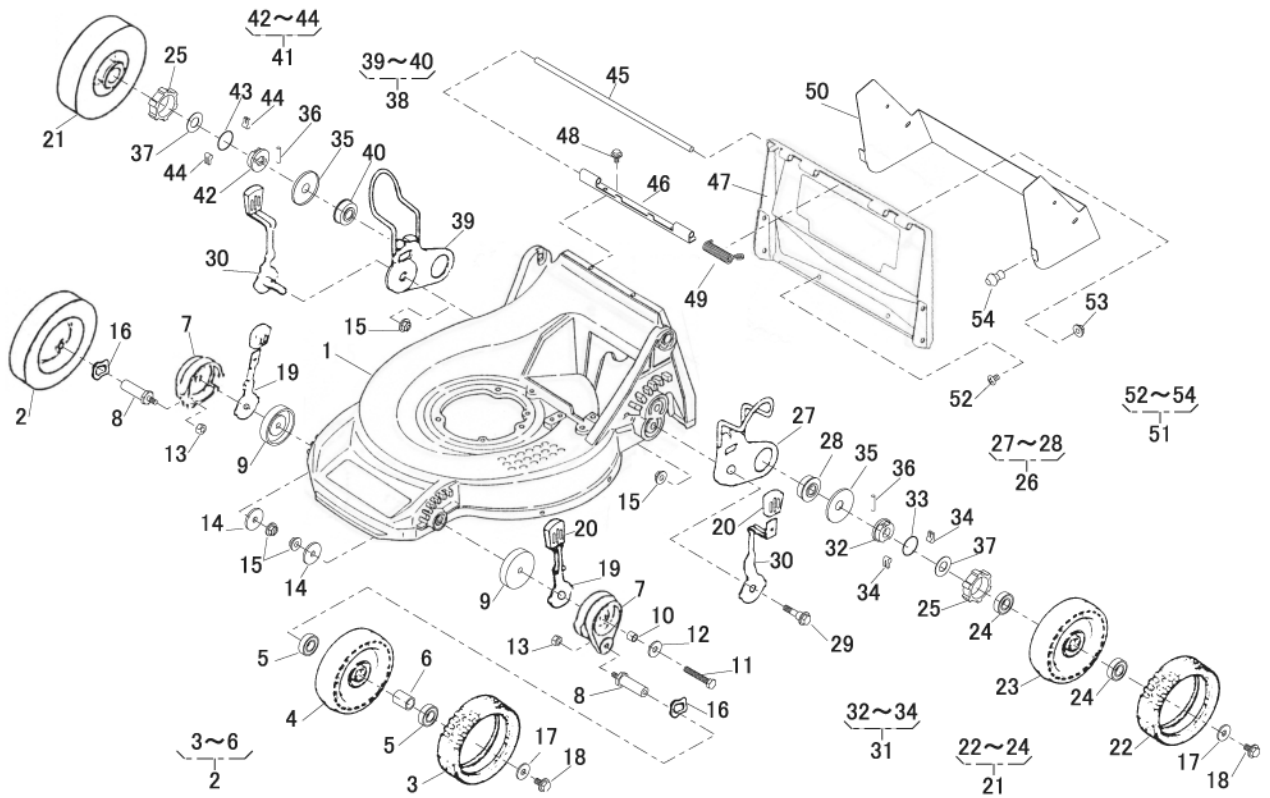


PARTS LIST

MODEL : LM5360HXA (KAAZ)

46014-154

REF. No.	PARTS No.		PARTS NAME	AI-WHEEL		RECOMM.(%) Lot.100	REMARKS
				Q'TY	PRICE()		
1	51043	136 42	HOUSING	1		3	
2	71041	135	WHEEL ASSY(A.W.)	2		3	
3	91086	113	TIRE	2		15	
4			WHEEL	2		-	
5			BEARING	4		-	
6			COLLAR	2		-	
7	11142	122	ADJUSTER	2		3	
8	64014	332	SHAFT	2		3	
9	11102	221	HOLDER	2		3	
10	11083	312	COLLAR	2		3	
11	311L	0850	HEXAGON BOLT	2		10	M8 × 50
12	68036	101	WASHER	2		3	
13							
14	68036	112	WASHER	2		3	
15	569L	0800	FLANGE NYLON NUT	4		10	M8
16	664V	0016	WAVE SPRING WASHER	2		5	
17	68036	101	WASHER	4		3	
18	31057	181	HEXAGON BOLT	4		3	
19	11150	101 09	ADJUST LEVER	2		5	
20	36061	121	KNOB	4		3	
21	71041	136	WHEEL ASSY(A.W.)	2		3	
22	91086	113	TIRE	2		15	
23			WHEEL	2		-	
24			BEARING	4		-	
25	11086	119	STOPPER	2		3	
26	71122	101	ADJUSTER ASSY(L)	1		-	
27	11142	104	ADJUSTER	1		3	

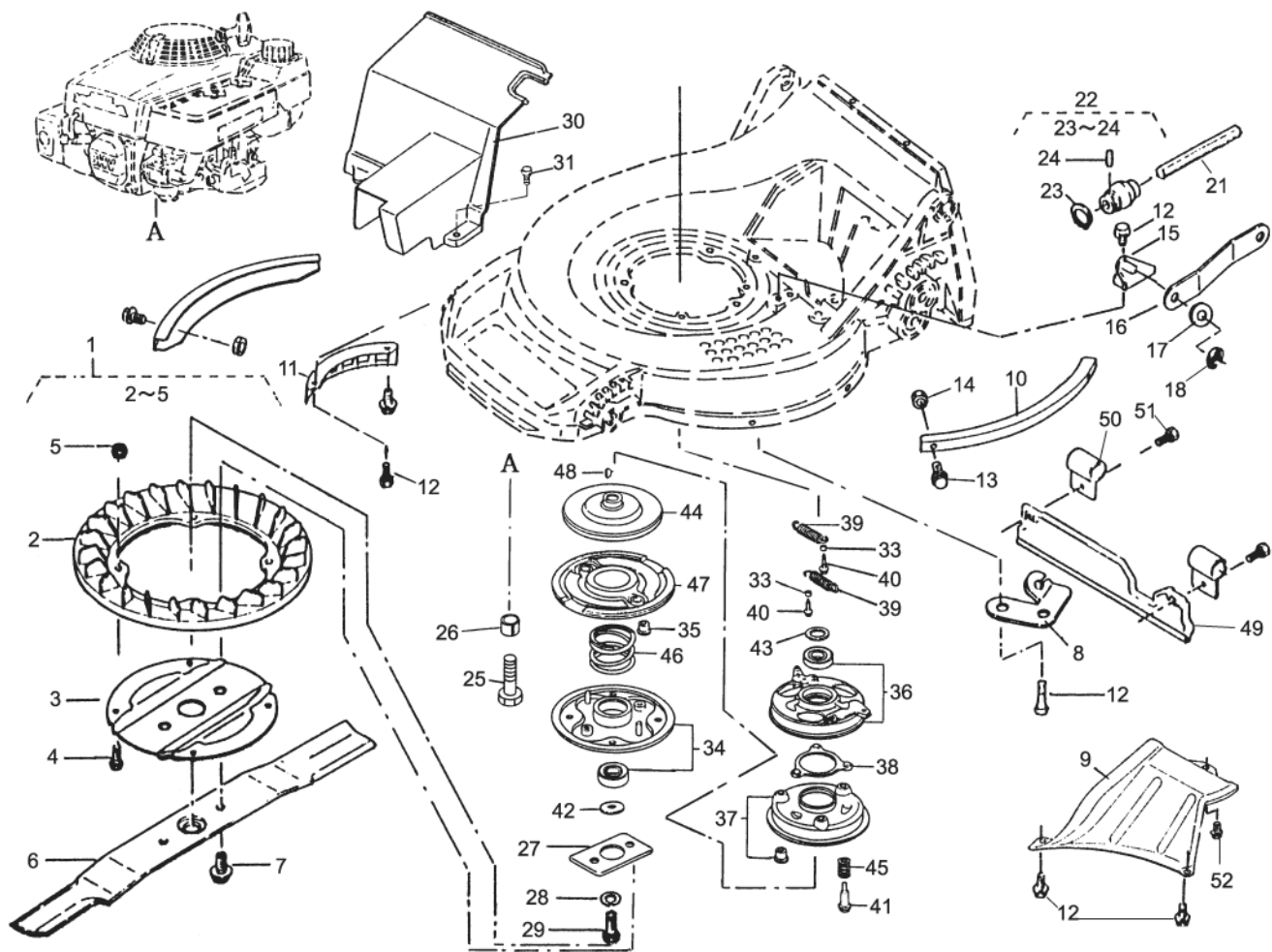


PARTS LIST

MODEL : LM5360HXA (KAAZ)

46014-154

REF. No.	PARTS No.	PARTS NAME	AI-WHEEL		PRICE()	2/2		RECOMM.(%)	REMARKS
			Q'TY	INCLUDING		Lot.100			
28	945L 0349	BEARING	1			10			
29	31057 132	HEXAGON BOLT	2			5			
30	11150 102 09	ADJUST LEVER	2			5			
31	71158 102	RATCHET ASSY(L)	1			-			
32	11102 138	HOLDER	1			3			
33	68013 266	SPRING	1			5			
34	31034 170	PIN	2			3			
35	61003 112	THRUST PLATE	2			10			
36	31034 137	PIN	2			10			
37	68036 146	WASHER	2			3			
38	71122 102	ADJUSTER ASSY(R)	1			-			
39	11142 105	ADJUSTER	1			3			
40	945L 0349	BEARING	1			10			
41	71158 101	RATCHET ASSY(R)	1			3			
42	11102 138	HOLDER	1			3			
43	68013 266	SPRING	1			5			
44	31034 170	PIN	2			3			
45	64014 234	SHAFT	1			3			
46	11113 292	STAY	1			3			
47	36068 171 46	GUARD	1			3			
48	342J 0612	FLANGE BOLT TAPPING	2			3			M6 × 12
49	68013 336	SPRING	1			3			
50	36065 298 09	COVER	1			3			
51	71137 194	BOLT AND NUT SET	1			-			
52	376L 0508	(+)TRUSS SCREW	6			3			M5 × 8
53	579L 0500	FLANGE NUT	6			3			M5
54	36006 113	ABSORBER	2			10			

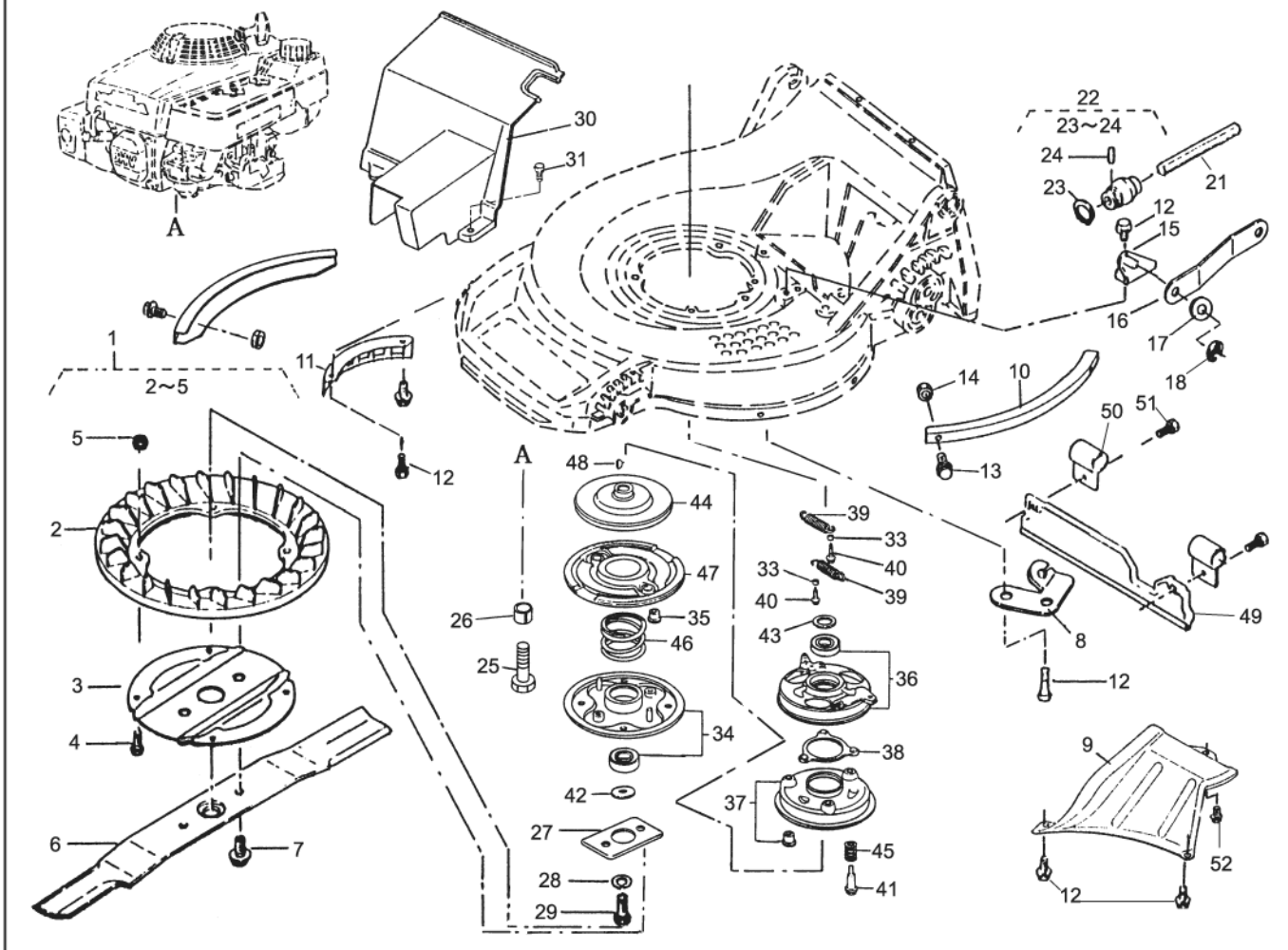


PARTS LIST

MODEL : LM5360HXA (KAAZ)

46014-154

REF. No.	PARTS No.	PARTS NAME	GRASS-CUTTING		1/2	RECOMM.(%) Lot.100	Jan.25,2003	REMARKS
			Q'TY	PRICE()				
			INCLUDING					
1	71082 110	FAN ASSY	1			-		
2	51125 103	FAN	1			5		
3	11102 151	HOLDER	1			5		
4	335L 0620	FLANGE BOLT	4			5		M6 × 20
5	569L 0600	FLANGE NYLON NUT	4			5		M6
6	91014 159	BLADE	1			15		
7	31057 197	HEXAGON BOLT	2			15		
8	51002 118	WIRE HOLDER	1			3		
9	36065 300	COVER	1			10		
10	51090 117 09	PROTECTOR	2			5		
11	36065 180	COVER	1			3		
12	342J 0612	FLANGE BOLT TAPPING	8			3		M6 × 12
13	335L 0610	FLANGE BOLT	4			5		M6 × 10
14	512L 0600	HEXAGON NUT	4			3		M6
15	11006 113	STAY C.P.	1			5		
16	91049 116	CONNECTOR	1			5		
17	611L 1000	WASHER	1			3		M10
18	816V 0800	E-SNAP RING	1			5		φ8
19								
20								
21	64014 222	SHAFT	1			3		
22	91097 101	UNIVERSAL JOINT	1			3		
23	812V 2000	C-SNAP RING FOR SHAFT	1			1		φ20
24	717B 0418	PARALLEL PIN	1			5		φ4 × 18
25	31057 243	HEXAGON BOLT	4			3		
26	61024 142	SPACER	3			3		
27	61024 169	SPACER	1			3		

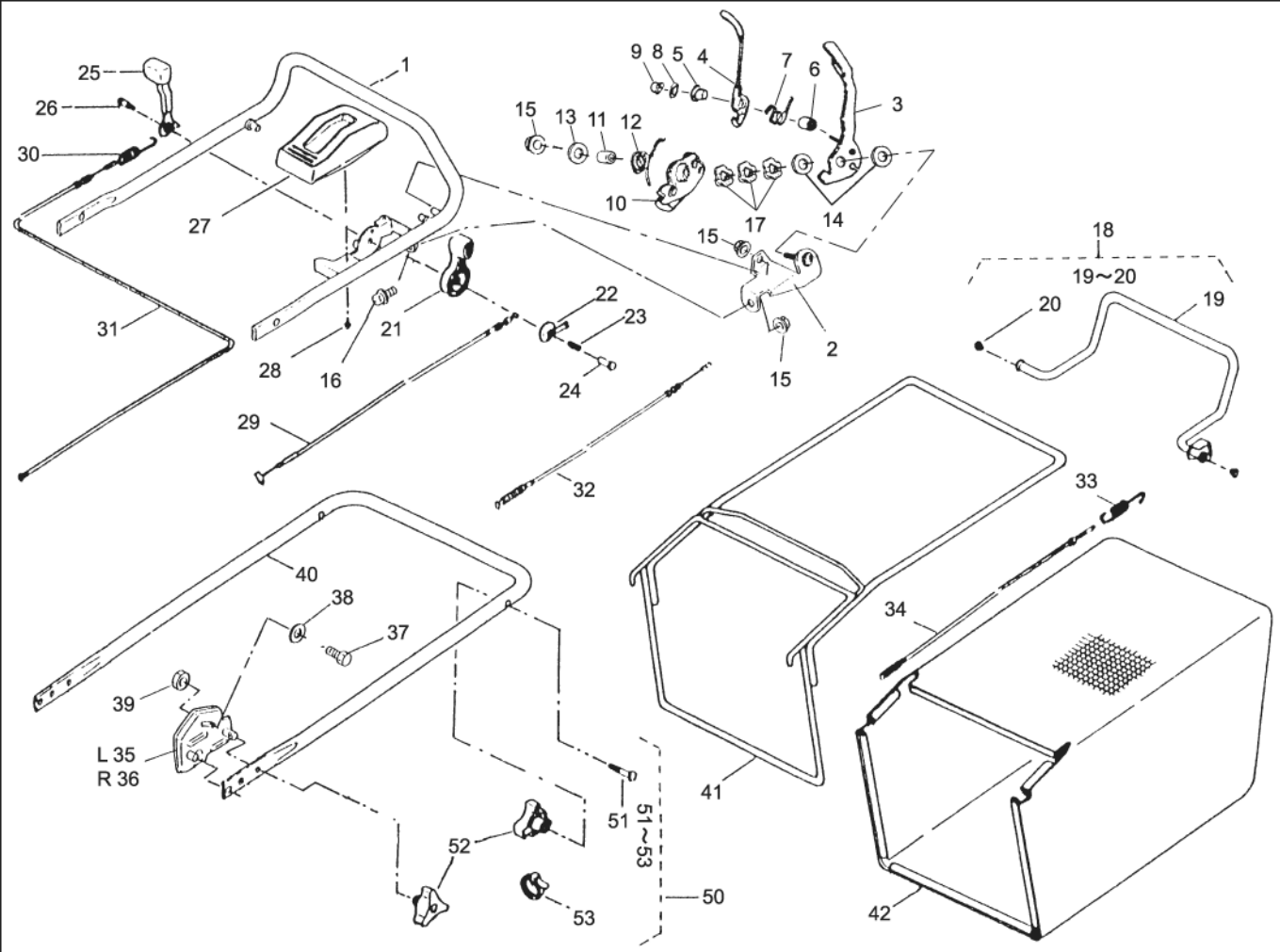


PARTS LIST

MODEL : LM5360HXA (KAAZ)

46014-154

REF. No.	PARTS No.	PARTS NAME	GRASS-CUTTING		PRICE()	2/2		RECOMM.(%)	REMARKS
			Q'TY	INCLUDING		Lot.100	Jan.25,2003		
28	671V 1000	CONICAL SPRING WASHER	1				3		
29	31057 196	HEXAGON BOLT	1				3		
30	36065 397	COVER	1				3		
31	342L 0616	FLANGE BOLT TAPPING	1				3		M6 × 16
32	71067 106	BRAKE ASSY	1				-		
33	19512 883 000	FAN COLLAR	2				-		
34	72600 VA4 010	BLADE HOLDER ASSY	1				3		
35	72613 VA4 000	BLADE HOLDER BUSH	2				5		
36	75090 VA4 030	BALL CONTROL PLATE	1				10		
37	75100 VA4 010	BRAKE C.P.	1				3		
38	75110 VA4 000	BALL RETAINER C.P.	1				10		
39	75182 VA3 J00	CLUTCH RETURN SPRING	2				5		
40	90014 952 000	FLANGE BOLT	4				3		
41	90021 VA4 000	SPECIAL BOLT	3				3		
42	90409 952 000	WASHER	1				3		
43	90501 952 010	THRUST WASHER	1				3		
44	75130 VA4 000	DRIVE DISK	1				3		
45	75132 VA4 000	BRAKE HOLDER SPRING	3				5		
46	75183 VA3 J00	CLUTCH SPRING	1				3		
47	75150 VA3 J01	DRIVEN DISK C.P.	1				3		
48	94401 16150	WOOD RUFF KEY	1				15		
49	36046 118	SAFETY GUARD	1				3		
50	11012 126	HANGER BAND	2				3		
51	335L 0616	FLANGE BOLT	2				15		M6 × 16
52	342J 0610	FLANGE BOLT TAPPING	1				3		M6 × 10



PARTS LIST

MODEL : LM5360HXA (KAAZ)

46014-154

REF. No.	PARTS No.	PARTS NAME	HANDLE		PRICE()	1/2 RECOMM.(%) Lot.100	Jan.26,2003 REMARKS
			Q'TY	INCLUDING			
1	51027 242	HANDLE	1			3	
2	11113 396 09	STAY	1			5	
3	11095 160 09	LEVER	1			10	
4	11095 161 09	LEVER	1			10	
5	76007 131	BUSH	1			10	
6	61024 206	SPACER	1			5	
7	68013 334	SPRING	1			5	
8	68036 198	WASHER	1			3	
9	563L 0600	U-HEXAGON CAP NUT	1			5	M6
10	11109 108	LINK	1			5	
11	61024 207	SPACER	1			10	
12	68013 335	SPRING	1			10	
13	68036 262	WASHER	1			5	
14	68036 200	WASHER	2			5	
15	569L 0800	FLANGE NYLON NUT	3			5	M8
16	335L 0820	FLANGE BOLT	1			3	M8 × 20
17	664J 1600	WAVE SPRING WASHER	3			3	M16
18	71161 111 09	LEVER ASSY	1			-	
19		LEVER		1		-	
20	76007 131	BUSH		2		15	
21	91010 169	THROTTLE LEVER	1			10	
22	61003 113	THRUST PLATE	1			5	
23	68013 356	SPRING	1			3	
24	31058 168	HEXAGON NUT	1			3	
25	11095 117	LEVER	1			3	
26	31062 109	PRE-COAT LOCK BOLT	1			5	
27	71900 796	COVER ASSY	1			3	

